

# High Voltage Field Switch

*High Voltage Field Switch is a smart innovative solution offered by KraftPowercon. This Compact integrated switch is designed to keep Electrostatic precipitator "ESP" performance in optimum level and keep ESP in operation by minimizing down time in case of trouble shooting and maintenance. The function is to share High Voltage Power Supply with ESP fields or easily switch HV power supplies between two fields.*

## MAIN FEATURES

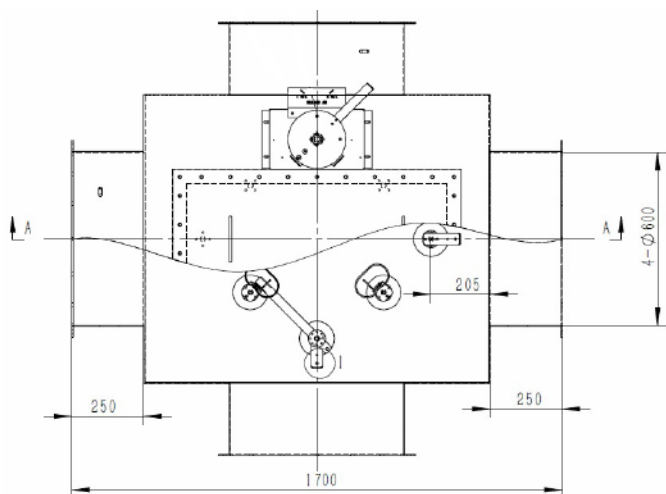
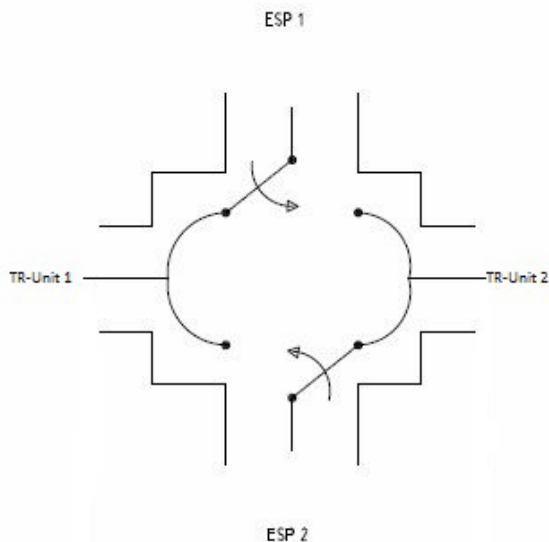
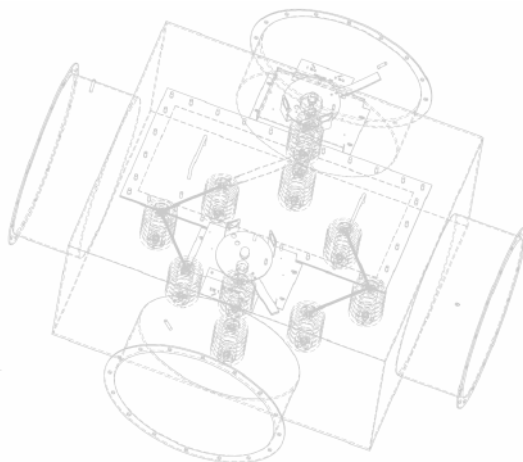
- Share HV power supply with two fields in case of failure in one of them
- Switching of HV power supply between fields easily
- Equipped with limit switches
- Prepare for adding mechanical Interlock
- Design for harsh and industrial environment
- Wide working temperature range
- Serviceability
- Compact solution

## BENEFITS

- Keep ESP efficient
- Faster trouble shooting of both ESP and HV power supply. Less down time of the process
- Increase safety
- Optimum durability
- Long life time

**TECHNICAL SPECIFICATION**

Withstand ESP Voltage: Up to 110 kV  
 Withstand ESP Current: Up to 4500 mA  
 Limit Switch contact: For both switch sides with one set of normally open and close function  
 Ingress Protection: IP54  
 Ambient Temperature: -40 ... +50°C



Combination of Switching possibilities					
Possible Case 1			Possible Case 3		
	TR-Unit 1	TR-Unit 2		TR-Unit 1	TR-Unit 2
Field 1	X	-	Field 1	X	-
Field 2	X	-	Field 2	-	X
Possible Case 2			Possible Case 4		
	TR-Unit 1	TR-Unit 2		TR-Unit 1	TR-Unit 2
Field 1	-	X	Field 1	-	X
Field 2	-	X	Field 2	X	-

X: connected  
 -: disconnected

