



# AGS

## Automatic Grounding Switch

### MAIN FEATURES

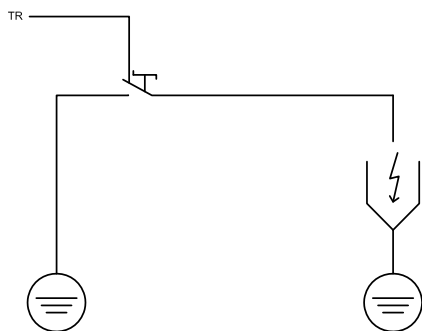
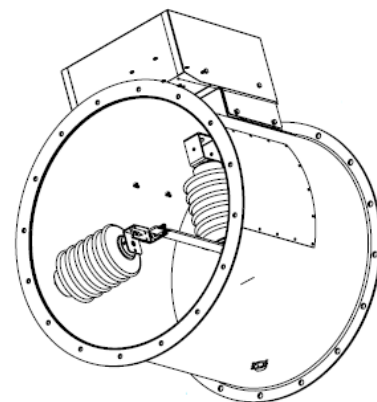
- Remote Operation
- Short closing time
- Integrated limit switch
- Both Connecting and disconnecting function
- Compact
- High degree of ingress protection IP
- Reliable function in harsh environment and long life time
- Verified based on latest Standards
- Serviceability
- Wide working temperature range

### APPLICATION

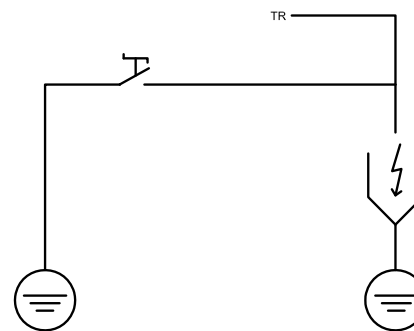
The AGS is designed to quickly discharge the ESP. It shall be connected to the High Voltage Power Supply output.

### TECHNICAL SPECIFICATION

Power supply: 230 VAC  $\pm$ 10%, 50...60Hz.  
 Closing time to grounding position: 1 second at no power  
 Temperature: -40°C ... +40°C  
 (-50°C as an option)  
 Ingress Protection IP54  
 Integrated Limit Switch At both open and ground position with normally open and close contact option  
 Voltage Up to 110kV  
 Current Up to 4.5 A



**Default**  
 Isolates transformer/rectifiers electrically and connects precipitator to earth.



**Option**  
 Connects both transformer/rectifiers and precipitator to earth simultaneously.

